

FocusFiber®

Fiber Coupled Multiple Single Emitter Series (CW)

FCSE08



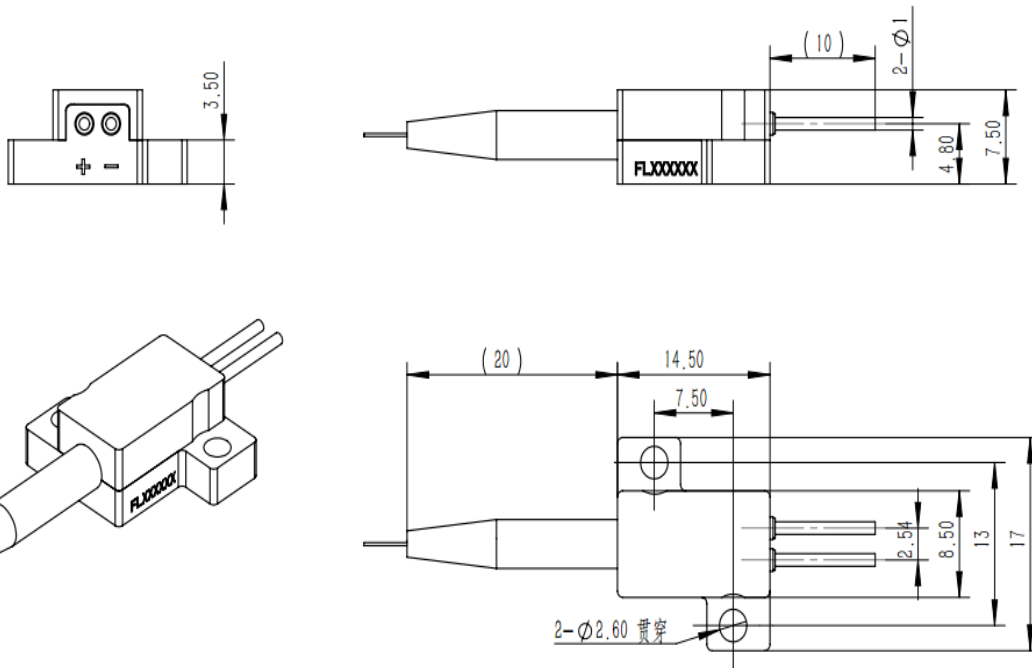
Features

- High power
- High coupling efficiency
- High brightness
- Long lifetime

Applications

- Pumping
- Printing
- Scientific research
- Medical
- Industry

Device Dimension (mm)



This structure drawing is only for reference. For any other special requirement, please feel free to contact us.

Specification

Module Type ¹	Units	FL-FCSE08-2-808	FL-FCSE08-7-808	FL-FCSE08-8-9XX	FL-FCSE08-2-1470	FL-FCSE08-2-1550
Optical ^{3,7}						
Center Wavelength λ	nm	808	808	915/940/976	1470	1550
Wavelength Tolerance	nm	± 3	± 3	± 5	± 20	± 20
Output Power ²	W	2	7	8	2	2
Spectral Width FWHM	nm	≤ 3	≤ 3	/	≤ 10	≤ 10
Spectral Width FW90%E	nm	≤ 4	≤ 4	/	/	/
Wavelength Temp. Coefficient	nm/°C	~ 0.28	~ 0.28	~ 0.33	/	/
Feedback Protection(1040nm-1100nm)	dB	/	/	30	/	/
Fiber Parameters						
Fiber Numerical Aperture	NA	0.15	0.22	0.15/0.22	0.15/0.22	0.15/0.22
Fiber Core/Cladding Diameter	μm	105/125	200/220	105/125	105/125	105/125
Connector Type ⁶	-	SC	SMA905	SMA905	SMA905	SMA905
Fiber length ⁵	m	1.5	1.5	1.5	1.5	1.5
Electrical Parameters ^{3,7}						
Operating Current I_{op}	A	≤ 3	≤ 9.2	≤ 10.2	≤ 8	≤ 9
Threshold Current I_{th}	A	≤ 0.6	≤ 1.8	≤ 0.9	≤ 0.9	≤ 0.9
Operating Voltage V_{op}	V	≤ 2.2	≤ 2.2	≤ 2	≤ 1.5	≤ 1.5
Slope Efficiency	W/A	≥ 0.85	≥ 0.9	≥ 0.65	≥ 0.25	≥ 0.25
Power Conversion Efficiency	%	≥ 40	≥ 40	≥ 40	≥ 18	≥ 18
Thermal Parameters						
Operating Temperature	°C	10~40	10~40	10~40	10~40	10~40
Storage Temperature ⁴	°C	-20~80	-20~80	-20~80	-20~80	-20~80
Recommended Thermal Dissipation Capacity	W	≥ 6	≥ 20	≥ 25	≥ 25	≥ 25

¹Explanation for the name of Module Type: FL(abbreviation of Focuslight) –FCSE08(structure code) -7(output power) -808(center wavelength).

²Reduced lifetime if used above nominal operating conditions.

³Data at 25°C temperature, unless otherwise stated.

⁴A non-condensing environment is required for storage and operation below ambient dew point.

⁵Fiber length can be specified by customer.



For any other special requirements, please feel free to contact us.



Copyright ©2017 Focuslight. All rights reserved

Focuslight Technologies Inc.

Add: 56 Zhangba 6th Road, High-Tech Zone

Add: Xi'an, Shaanxi 710077, P. R. China

Tel: +86 29 8956 0050

Fax: +86 29 8177 5810

Email: sales@focuslight.com

Website: www.focuslight.com